

# LC-P1275P

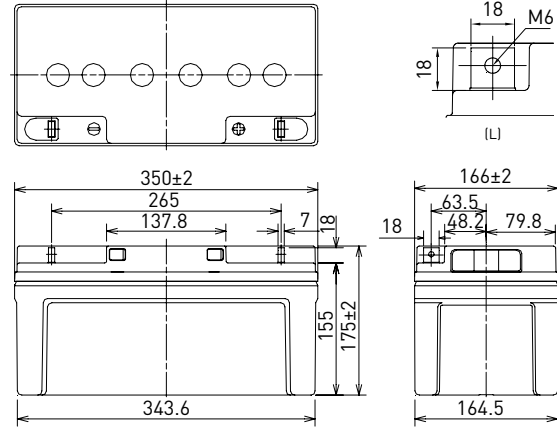
FOR STANDBY POWER SUPPLIES.  
 EXPECTED TRICKLE DESIGN LIFE: 10 – 12 YEARS AT 20°C  
 ACCORDING TO EUROBAT.

## DIMENSIONS (MM)



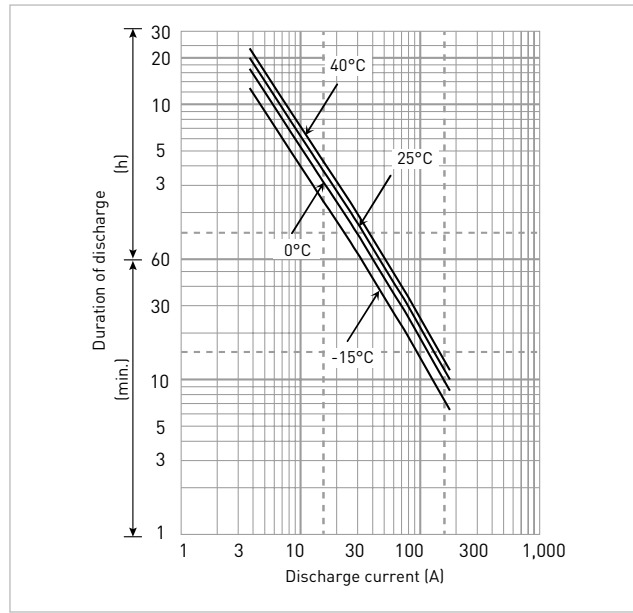
Contents indicated (including the recycle marking, etc.) are subject to change without notice. Battery case resin: flame-retardant (UL94 V-0)

Terminal type



Specifications		LC-P1275P
<b>Nominal voltage (V)</b>		12
<b>Nominal capacity</b>	<b>20 hours rate (Ah)</b>	75
<b>Dimensions</b>	<b>Length (mm)</b>	166
	<b>Width (mm)</b>	350
	<b>Total height (mm)</b>	175
<b>Approx. mass (kg)</b>		21.5
<b>Terminal type</b>		M6 bolt/nut
<b>Capacity (25°C)</b>	<b>20 hours rate (Ah)</b>	75
	<b>10 hours rate (Ah)</b>	70
	<b>3 hours rate (Ah)</b>	53.0
	<b>1 hour rate (Ah)</b>	50.0
<b>Impedance (mΩ)</b>	<b>Fully charged battery (25°C)</b>	7
	<b>Temperature dependency of capacity (%) – 20 hours rate</b>	
	40°C	102
	25°C	100
	0°C	85
	-15°C	65
<b>Remaining capacity (25°C)</b>	<b>After 3 months (%)</b>	91
	<b>After 6 months (%)</b>	82
	<b>After 12 months (%)</b>	64

## DURATION OF DISCHARGE VS. DISCHARGE CURRENT



## WATT TABLE (25°C)

(Wattage/battery)

Cut-off	5min.	10min.	15min.	20min.	30min.	45min.	1h	1.5h	2h	3h	4h	5h	6h	10h	20h
9.6V	2,273	1,985	1,546	1,313	962	702	555	411	327	220	171	149	125	79.5	45.0
9.9V	2,233	1,950	1,538	1,306	955	683	553	403	325	216	169	147	124	79.1	45.0
10.2V	2,093	1,827	1,531	1,290	940	679	549	400	321	215	168	146	123	78.6	45.0
10.5V	1,875	1,637	1,446	1,230	925	671	546	395	317	210	166	144	122	78.2	45.0
10.8V	1,657	1,447	1,400	1,200	911	580	473	355	301	205	164	143	120	77.8	44.1

## AMPERE TABLE (25°C)

(Ampere/battery)

Cut-off	5min.	10min.	15min.	20min.	30min.	45min.	1h	1.5h	2h	3h	4h	5h	6h	10h	20h
9.6V	241	177	134	116	86.9	61.5	51.0	34.8	27.6	18.5	14.3	12.4	10.4	7.14	3.75
9.9V	237	175	132	113	86.3	59.9	50.8	34.1	27.4	18.2	14.2	12.2	10.3	7.11	3.75
10.2V	222	167	130	111	84.9	59.5	50.5	33.8	27.1	18.1	14.0	12.1	10.2	7.07	3.75
10.5V	199	159	126	109	83.6	58.9	50.2	33.4	26.8	17.7	13.9	12.0	10.1	7.04	3.75
10.8V	176	151	122	106	82.3	50.8	43.5	30.1	25.4	17.3	13.7	11.9	10.0	7.00	3.68

All mentioned values are average values

# LC-P1275P

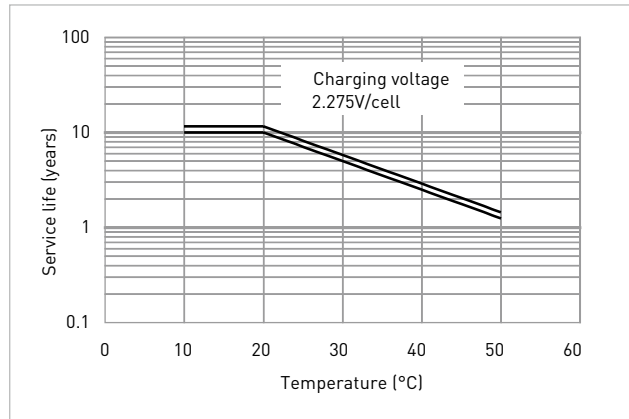
## CHARGING METHOD (25°C)

<b>Cycle use</b>	Control voltage: 13.6V - 13.8V Initial current: 11.3A or smaller
------------------	---

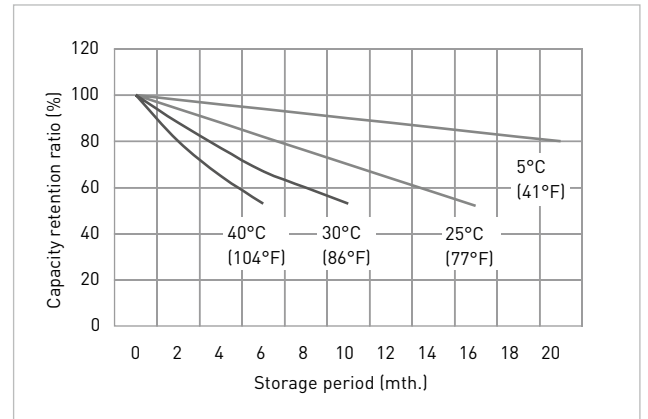
## CUT-OFF VOLTAGE

<b>Discharge current</b>	3.75A - 15.0A	15.0A - 37.5A	37.5A - 75.0A	75.0A - 150A	150A - 225A
<b>Cut-off voltage</b>	10.5V	10.2V	9.9V	9.3V	8.7V

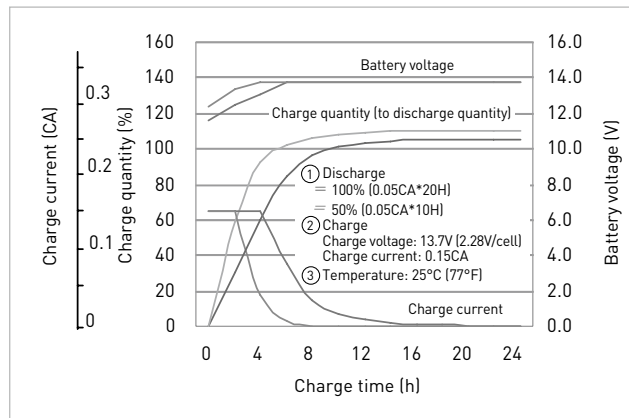
## INFLUENCE OF TEMPERATURE ON TRICKLE LIFE



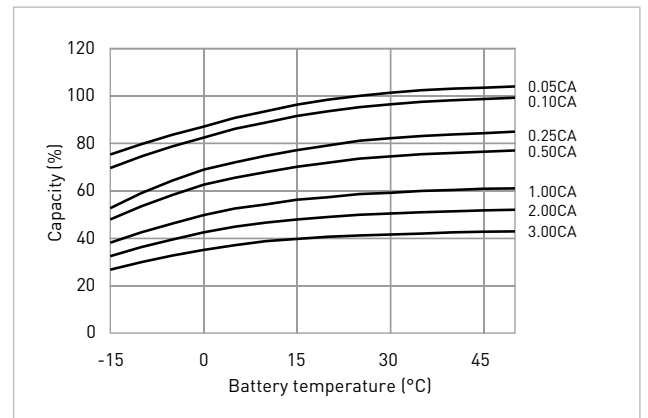
## RESIDUAL CAPACITY TEST RESULT



## CONSTANT-VOLTAGE CONSTANT-CURRENT CHARGE CHARACTERISTICS FOR TRICKLE USE



## DISCHARGE CAPACITY BY TEMPERATURE AND BY DISCHARGE CURRENT



## DISCHARGE CHARACTERISTICS

